

Welcome to b•hyve™ SMART WIFI SPRINKLER TIMER

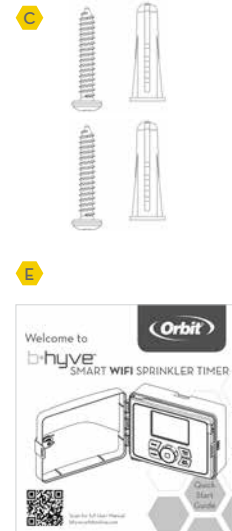
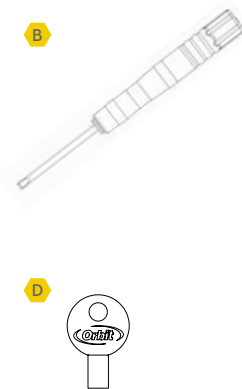
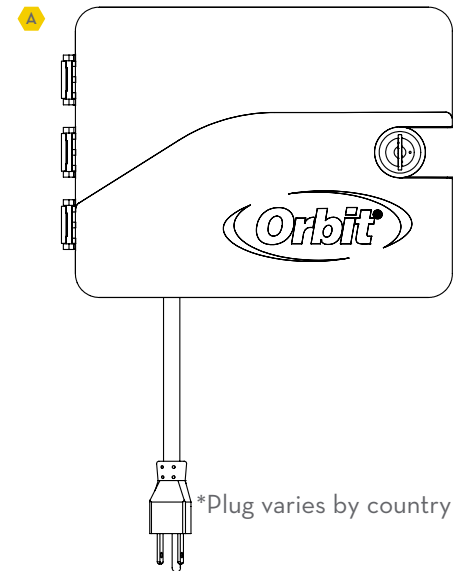


Scan for full User Manual
bhyve.orbitonline.com

Quick Start Guide

Contents in the Box

- A** WiFi Sprinkler Timer
- B** Screwdriver
- C** Installation Hardware
- D** Keys
- E** Quick Start Guide



The B-hyve™ App

Install the B-hyve™ app on your smart device

You will need a smart device to connect the timer to Wi-Fi. After the timer is paired, you can also use a computer to adjust your timer.

- Note:** There is a wizard in the app to guide you through initial set up of your sprinkler timer. In addition, there are help icons throughout the app with more information and useful tips.



Specifications

Battery Specifications

Timer requires a CR2032 Lithium battery (included)

To remove, lift on the edge of the coin cell battery. (Illustration) DO NOT use a screwdriver or other metal object.

Insert the new battery at an angle and press to click the battery into place. The plus (+) sign on the battery must face upwards.

- WARNING:** Risk of Fire, Explosion, and Electric Shock. Replace battery with Hitachi Maxell Ltd, Type CR2032 only. Use of a different battery has the potential for a risk of fire, explosion, and electric shock.

- WARNING:** Battery must be removed from the timer before it is scrapped.

- WARNING:** The timer must be disconnected from the supply mains when removing the battery.



Rated input:

Australia—240V AC 50/60Hz 0.15A
Europe—230V AC 50/60Hz 0.15A
USA—120V AC 60Hz 0.15A

Max load:

AUS & EU - 24V AC 1 Amp 50/60 Cycle
USA—24V AC 750 mA 60Hz

Temperature Operating Range:

Operating: 32-167° F (0-75° C)
Storage & transport: 32-176° F (0-80° C)

Humidity Operating Range:

Operating: 0-80%
Storage & transport: 0-90%

Altitude: 6,500' (2,000 meters)

IPX5 Rating
Installation Class II
Over Voltage Category II

Help

If the app and the website don't have what you're looking for, please call our technical support line before returning this sprinkler timer to the store.

1-800-488-6156 or 1-801-299-5555

www.orbitonline.com | bhyve.orbitonline.com

Timer Installation

Select a location

Choose a location near power and away from direct sunlight, if possible. Make sure to leave room for the timer door to open completely.

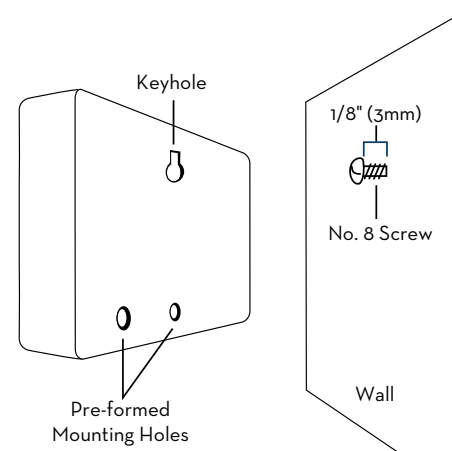
This location should also have a good Wi-Fi signal. You can check this using a smart phone. (Find a location that has a minimum of two bars)



Note: If replacing a timer, it is helpful to take a photo of the wires before you remove them from the old timer.

Mount the timer

Install a screw (included) into the wall. Use the expanding anchors (included) for plaster, masonry or drywall installations. Hang the timer on the installed screw using the keyhole slot. Level the timer and use the second screw in one of the preformed mounting holes to secure the timer.



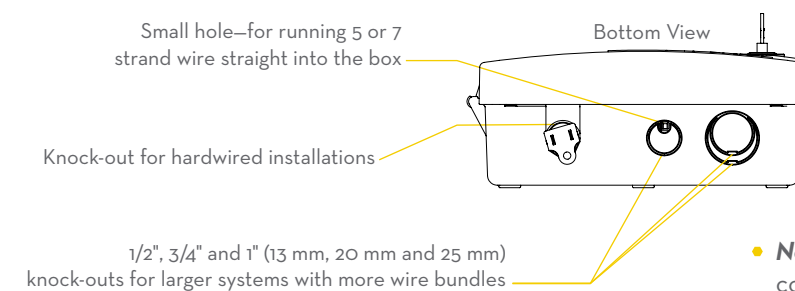
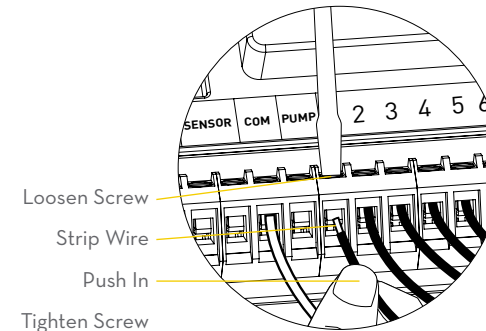
Connect Valve Wires

Prepare wire

Strip 1/2" (13 mm) of insulation from each wire.

Connect wires

Attach one wire from each valve to a "Common" (COM) wire and the other wires to a numbered terminal (only one wire per terminal.)



Note: We recommend you consult an electrician for hardwired installations.

Timer Installation—Connecting to Wi-Fi

Plug in your Orbit® B-hyve™ timer

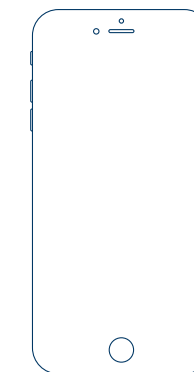
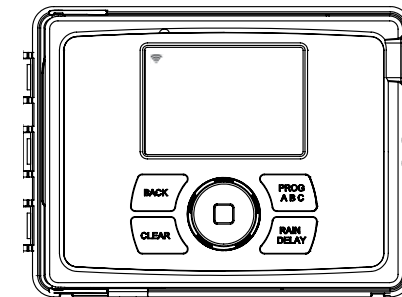
Once your B-hyve™ timer is plugged into the power source, it will automatically look to pair with your smart device. In the top left corner of the timer screen the "Wi-Fi" icon will begin a graduated blinking sequence. This indicates that your timer is ready to pair with a smart device.

Find Orbit_SmartHome_XXXX in your Wi-Fi list

The B-hyve™ timer will create its own network that will appear in your list of available Wi-Fi connections on your smart device. Connect to the Orbit Smart Home network and then return to the Orbit® B-hyve™ app.

Enter your Wi-Fi settings

After returning to the app, you will see a list of available networks. Choose your network and then enter the password for the network to connect your timer to your Wi-Fi signal. When connected, the Wi-Fi icon on the timer will stop blinking and show solid lines.



FOR OPTIMUM TIMER PERFORMANCE, CONNECT TO WIFI TO RECEIVE THE LATEST TIMER UPDATES.

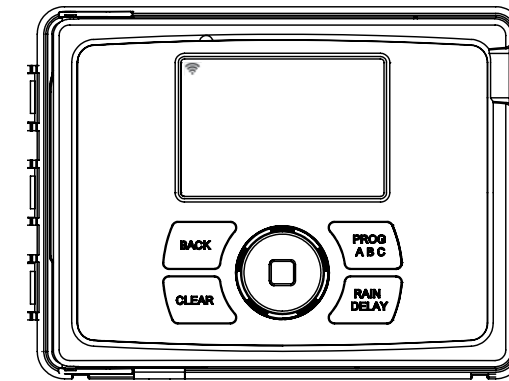
Simple Controls

Programming the timer

You can set your timer up with the app. But, if you don't have Wi-Fi or just want to make an adjustment while you are outside, you can do it at the timer. Timer changes will be reflected in the app, and app changes will be reflected at the timer.

It allows the gardener who left their phone inside to run a manual cycle, or adjust programming as needed and keep dirty hands away from the phone.

Note: The app has help screens and video to assist you with Wi-Fi connections, programming, smart watering and other general questions you may have.



Buttons	Function
	Scroll up or down, left or right and push to make a selection
CLEAR	To clear a setting
PROG ABC	To move to different programs: A, B, and C
BACK	To go back a step
RAIN DELAY	To pause operation for 1 to 32 days due to rain or other factors